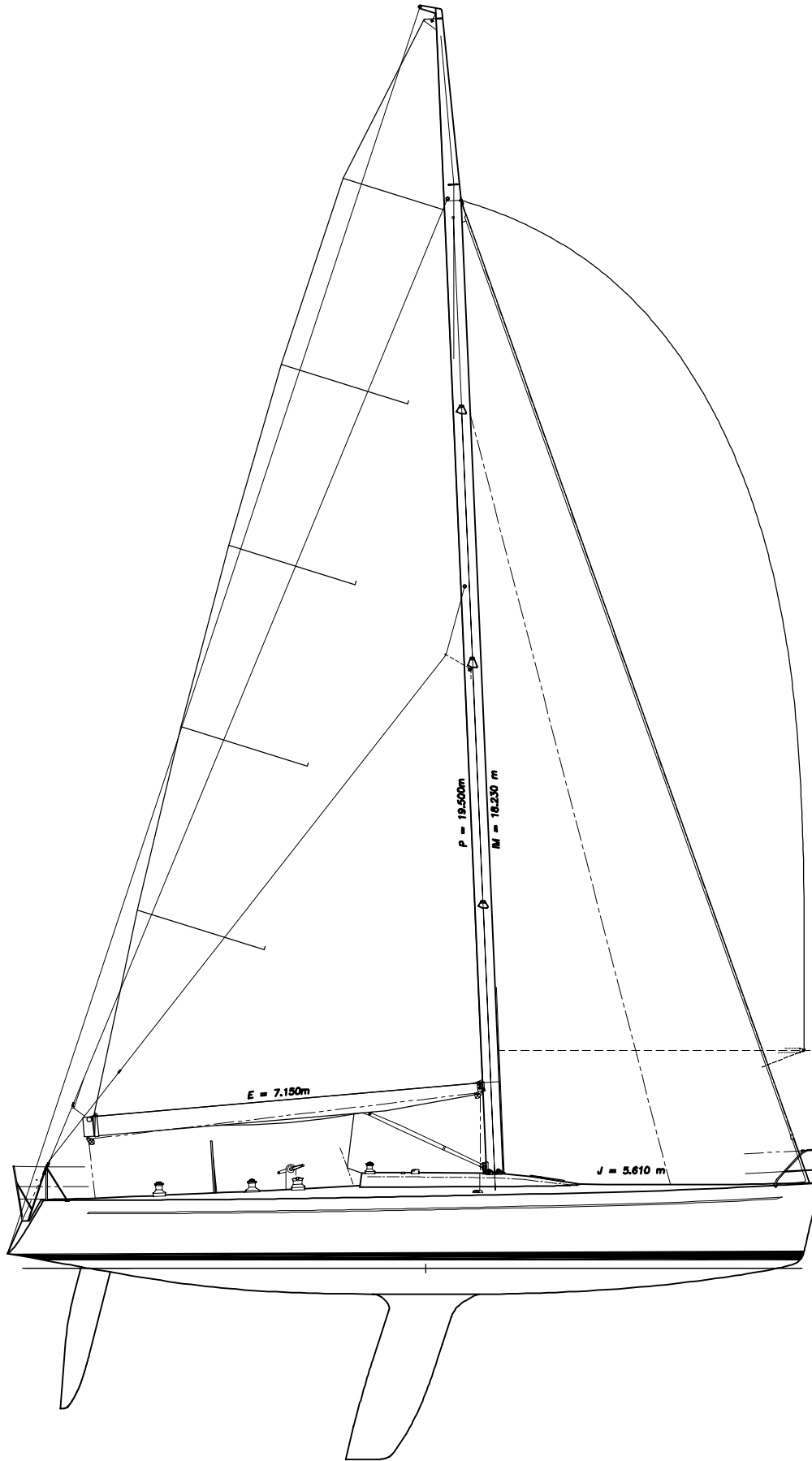


COPYRIGHT



BURRILL PERRELL® AND ASSOC., INC.
P.O. BOX 4884 ANNAPOLIS, MD. 21403, U.S.A.

49ft. IMS RACING YACHT

© 11-26-97

SCALE NOT TO SCALE DESIGN No. 420

TITLE PROMO SAILPLAN DRAWING No. PROMSAIL