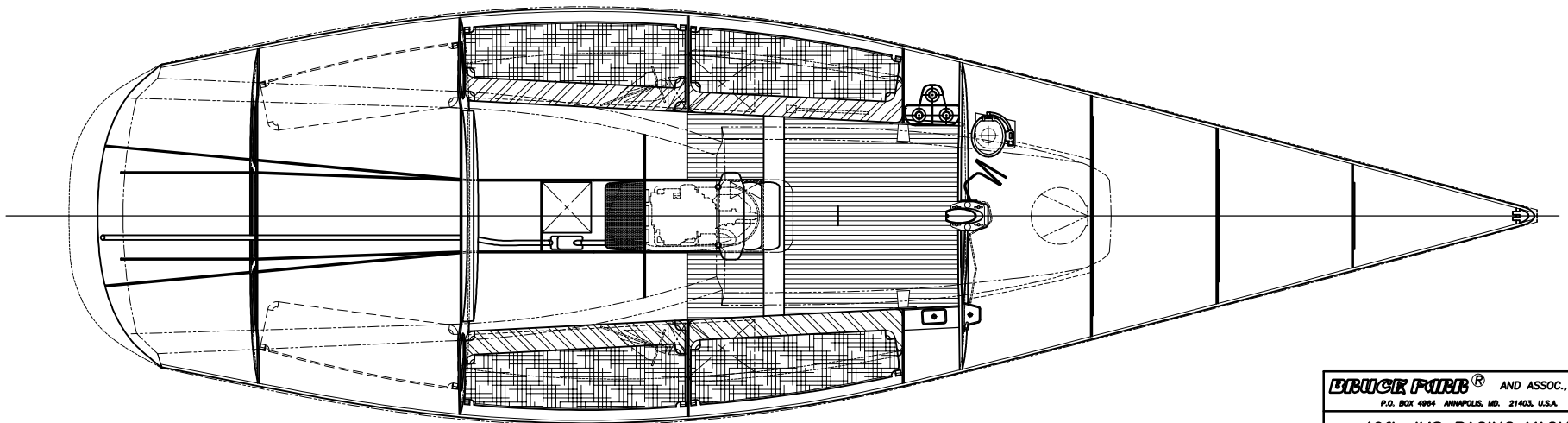
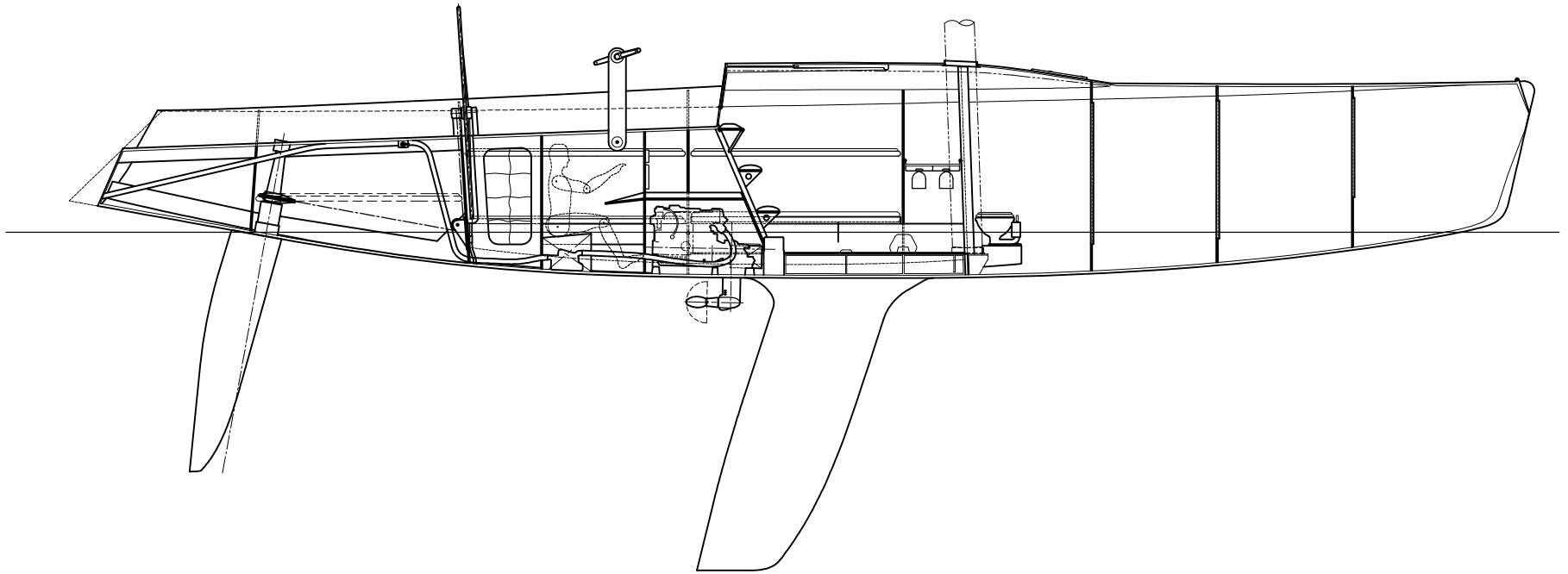


COPYRIGHT



BRUCE PEARCE ® AND ASSOC., INC. P.O. BOX 4064 ANNAPOLIS, MD. 21403, U.S.A.	
49ft, IMS RACING YACHT	
© 11-26-97	
SCALE NOT TO SCALE	DESIGN No. 420
TITLE PROMO INTERIOR	DRAWING No. PROMINT